

# Plastic filter manuel double



Thanks to the unique filter cartridge, it allows the water to be filtered at the desired micron level. It has high resistance to UV rays, heat and pressure. Displaying endurance against fertilizers and acids due to the materials used in its production, resistant to corrosion.

## Technical Specification

D (inch)	Code	Model	Connection Type	Flow Rate m <sup>3</sup>	Filtration Surface c <sup>m2</sup>	D (mm)	D1 (mm)	H (mm)	H1 (mm)	K (mm)	T (inch)	Weight (kg)	Packaging Dimension W- D- H
3"	300-16	Normal	Y-Y	60	2450	87	205	962	356	340	3/4"	13,8	123-36-27
	300-17	Normal	W-W	60	2450	89	205	962	356	340	3/4"	13,8	123-36-27
	300-18	Süper	Y-Y	70	3500	87	205	1210	481	340	3/4"	15,7	123-36-27
	300-19	Süper	W-W	70	3500	89	205	1210	481	340	3/4"	15,7	123-36-27
4"	400-10	Normal	Y-Y	70	2450	113	205	962	356	340	3/4"	13,6	123-36-27
	400-11	Normal	W-W	70	2450	114	205	962	356	340	3/4"	13,6	123-36-27
	400-12	Süper	Y-Y	80	3500	113	205	1210	481	340	3/4"	15,4	123-36-27
	400-13	Süper	W-W	80	3500	114	205	1210	481	340	3/4"	15,4	123-36-27

## Specifications

**Body construction**  
NA6

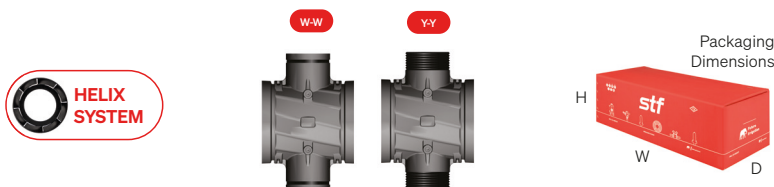
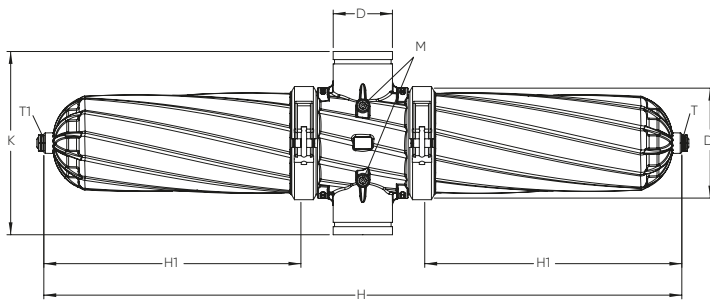
**Max working pressure**  
8 BAR

**Min working temperature**  
0 °C

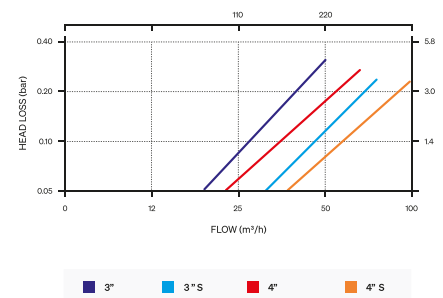
**Max working temperature**  
60 °C

**Filtering**  
130 Micron

**Inner set**  
Disc



**HEAD LOSS**  
Manuel Double



All the data sheets, schematics, manuals, photos and descriptions are for general purpose use only. Please contact nearest STF specialists for further information or technical support. The company reserves the right to change the design of their products without prior notice.

