

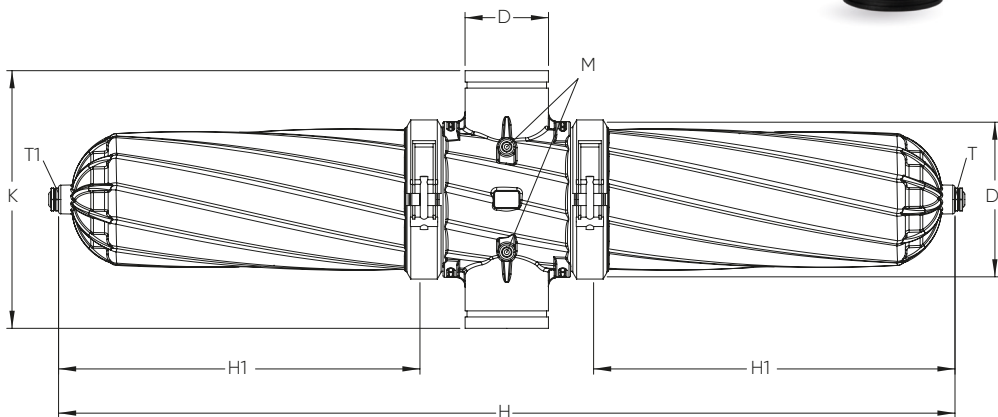
Plastic filter backflush double



Thanks to the unique filter cartridge, it allows the water to be filtered at the desired micron level. It has high resistance to UV rays, heat and pressure. Displaying endurance against fertilizers and acids due to the materials used in its production, resistant to corrosion.

Technical Specification

D (Inch)	Code	Connection Type	Flow Rate m ³	Filtration Surface cm ²	D (mm)	D1 (mm)	H (mm)	H1 (mm)	K (mm)	T (inch)	Weight (kg)	Packaging Dimension W-D-H
3"	300-18-B	Y-Y	50	2940	87	205	1210	481	340	3/4"	17,3	123-36-27
	300-19-B	W-W	50	2940	89	205	1210	481	340	3/4"	17,3	123-36-27
4	400-12-B	Y-Y	70	2940	113	205	1210	481	340	3/4"	17,0	123-36-27
	400-13-B	W-W	70	2940	114	205	1210	481	340	3/4"	17,0	123-36-27



Specifications

Body construction
NA6

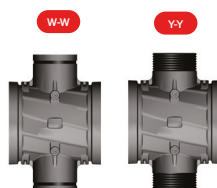
Max working pressure
8 BAR

Min working temperature
0 °C

Max working temperature
60 °C

Filtering
130 Micron

Inner set
Disc



All the data sheets, schematics, manuals, photos and descriptions are for general purpose use only. Please contact nearest STF specialists for further information or technical support. The company reserves the right to change the design of their products without prior notice.

