

Mini Filter (Inline)

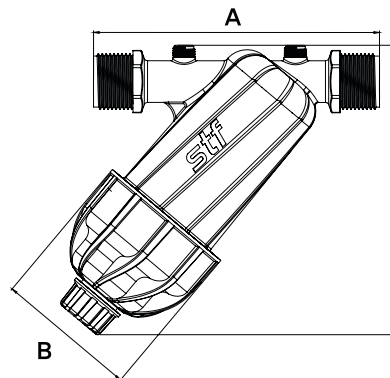
Thanks to the unique filter cartridge, it allows the water to be filtered at the desired micron level. It has high resistance to UV rays, heat and pressure. Displaying endurance against fertilizers and acids due to the materials used in its production, resistant to corrosion.



- Low pressure loss
- Interchangeable filter components for a wide range of flow rates, with multiple filtration degrees
- Exceptional mechanical endurance, resistant to corrosion and chemicals
- User friendly, easy to install and maintain, no tools required for rinsing
- Suitable for a wide range of applications for the irrigation and industrial markets

Technical Specification

Code	D (inch)	Connection Type	Flow Rate m ³	Filtration Surface cm ²	A (mm)	B (mm)	C (mm)	Weight (kg)	Pcs Boxi	Packaging Dimension W- D- H
110-10	1"	Y-Y	8	184	166,7	82,5	170	0,31	20	43-33-27
110-11	1/2"	Y-Y	4	184	166,7	82,5	170	0,31	20	43-33-27
110-12	3/4"	Y-Y	6	184	166,7	82,5	170	0,31	20	43-33-27
120-10	2"	Y-Y	25	505	265	142	250	1,16	5	63-36 -27
120-11	1 1/2"	Y-Y	18	505	265	142	250	1,16	5	63-36 -27
120-12	1 1/4"	Y-Y	16	505	265	142	250	1,16	5	63-36 -27



C



Specifications

Body construction
Polipropilen (Pp)

Max working pressure
8 BAR

Min working temperature
0 °C

Max working temperature
60 °C

Filtering
130 Micron

Inner set
Disc

All the data sheets, schematics, manuals, photos and descriptions are for general purpose use only. Please contact nearest STF specialists for further information or technical support. The company reserves the right to change the design of their products without prior notice.